

**Programming display**

Main functions

Entering of access password	Opening speed adjustment
Closing speed adjustment	Anti break-in function management
Pause times adjustment	Anti-crushing adjustment
Diagnostic display	Weekly calendar management

Management of interlock with or without memory  
 Selection of battery operation logics  
 Configuration of 1 output on the control unit  
 Configuration of 2 emergency inputs on the control unit  
 Display of number of cycles carried out  
 Management of 5 daily time slots



Programming display

**SD KEEPER functions keyboard**

Main functions

Manual	Open
Automatic	Partial opening
One way	Night
Reset	One way, partial

Throubleshooting through a combination of flashing LEDs  
 Operation can be disabled by a jumper or a combination of keys  
 Preset for programming display



SD Keeper functions keyboard

**SDK light**

Available programs

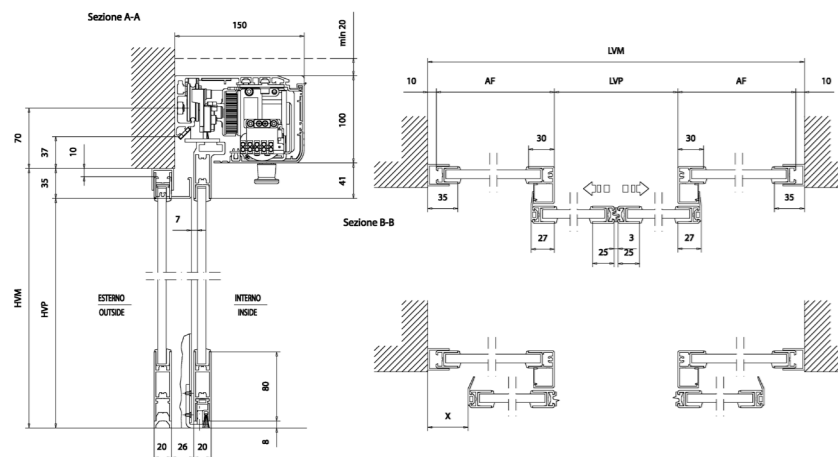
Manual	Open
Automatic	Partial opening
One way	Night
Reset	

Throubleshooting through a combination of flashing LEDs  
 Operation can be disabled by a combination of keys  
 Not preset for programming display



SDK light functions keyboard

**Small section profile TK20**



**HEADQUARTERS**

FAAC spa  
 Via Calari 10 - 40069 Zola Predosa (BO) ITALY  
 Tel. +39 051 61724 - Fax +39 051 758518  
 info@faac.it - www.faacgroup.com

**FAAC SUBSIDIARIES**

**FAAC AG**  
 Tel. +41 41 8713440  
 Fax +41 41 8713484  
 Altdorf, Switzerland  
 www.faac.ch

**FAAC FRANCE**  
 Tel. +33 4 72218700  
 Fax +33 4 72218701  
 Corbas, France  
 www.faac.fr

**FAAC GMBH**  
 Tel. +49 8654 49810  
 Fax +49 8654 498125  
 Freilassing, Germany  
 www.faac.de

**FAAC MIDDLE EAST BRANCH**  
 Tel. +971 42146733  
 Fax +971 42146734  
 Dubai Airport Free Zone, UAE  
 www.faac.ae

**F.A.A.C. SA**  
 Tel. +34 91 6613112  
 Fax +34 91 6610050  
 Madrid, España  
 www.faac.es

**FAAC UK LTD.**  
 Tel. +44 1256 318100  
 Fax +44 1256 318101  
 Basingstoke Hampshire, UK  
 www.faac.co.uk

**FAAC AUSTRALIA PTY LTD**  
 Tel. +61 2 87565644  
 Fax +61 2 87565677  
 Homebush - Sydney, Australia  
 www.faac.com.au

**FAAC NORD**  
 Tel. +33 1 69191620  
 Fax +33 1 69191621  
 Massy, France  
 www.faac.fr

**FAAC INDIA PVT. LTD**  
 Tel. +91 120 3934100/4199  
 Fax +91 120 4212132  
 Noida - Delhi, India  
 www.faacindia.com

**FAAC POLSKA SP.ZO.O.**  
 Tel. +48 22 8141125  
 Fax +48 22 8142024  
 Warszawa, Polska  
 www.faac.pl

**F.A.A.C. SA Delegación Cataluña**  
 Tel. +34 93 4362000  
 Fax +34 93 4368225  
 Barcelona, España  
 www.faac.es

**FAAC BENELUX**  
 Tel. +32 50 320202  
 Fax +32 50 320242  
 Brugge, Belgium  
 www.faacbenelux.com

**FAAC G.E.S. M.B.H.**  
 Tel. +43 662 8533950  
 Fax +43 662 85339520  
 Wals - Siezenheim, Austria  
 www.faac.at

**FAAC INTERNATIONAL INC.**  
 Tel. +1 307 6351991  
 Fax +1 307 6328148  
 Cheyenne, USA  
 www.faacusa.com

**FAAC SCANDINAVIA AB**  
 Tel. +46 36 376860  
 Fax +46 36 370780  
 Bankeryd, Sweden  
 www.faac.se

**FAAC SHANGHAI**  
 Tel. +86 21 68182970  
 Fax +86 21 68182968  
 Shanghai, China  
 www.faac.com.cn

908482004 - Rev. 13 - 500 - Zucchini - 09/2009. The descriptions and illustrations contained in the present brochure are not binding. FAAC reserves the right to undertake product technical modifications without prior notice.



**A100 COMPACT**  
 Automations for sliding doors

## Automations for sliding doors

single leaf, two leaves with continuous duty

### Thin and elegant

Thanks to their compact dimensions, FAAC A100 COMPACT automations can be adapted to every type of architectural environment, even in limited space conditions. All the most innovative technical features in just a few centimetres. For the utmost versatility of use, the A100 COMPACT Series can be adapted to sliding doors with single leaves and a maximum weight of 110 kg or with double leaves and a maximum weight of 70 kg each leaf. An A100 COMPACT automation also guarantees considerable energy savings as regards air-conditioning and the total removal of architectural barriers.

### Reliable and always sliding

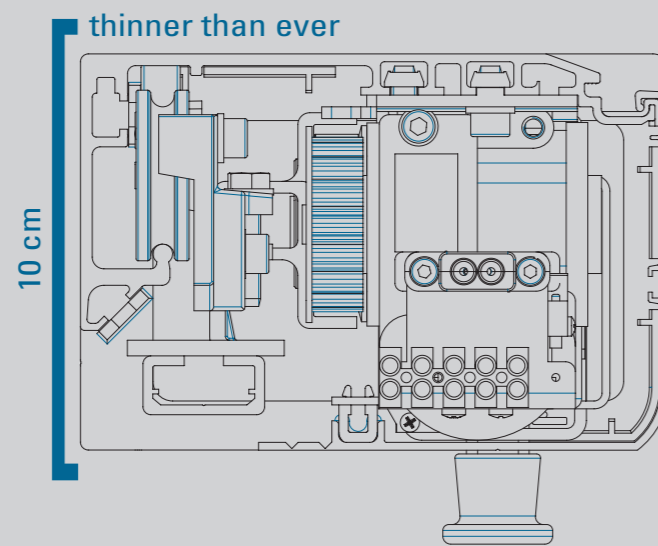
Designed to operate at best on each occasion and in every environment, A100 COMPACT automations are automatically reliable, without limits on the frequency of use. In the event of a power cut, buffer batteries (optional) with charge control guarantee 100% operation for thirty minutes.

### Excellent logics in real time

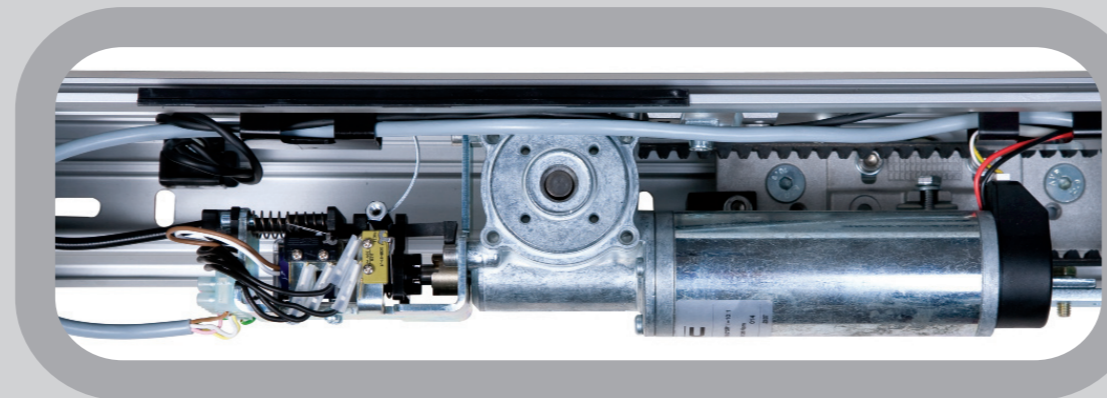
A microprocessor verifies in real time all door activities and guarantees an intelligent control. The operation logics can be selected by means of a functions keypad.

### Absolute safety

The A100 COMPACT Series automatically programs opening and closing force and speed according to the friction and the door weight in conformity with the relevant international safety standards. In case of an obstacle the door reopens immediately. On the next closing it verifies at slow speed if the obstacle is still present.

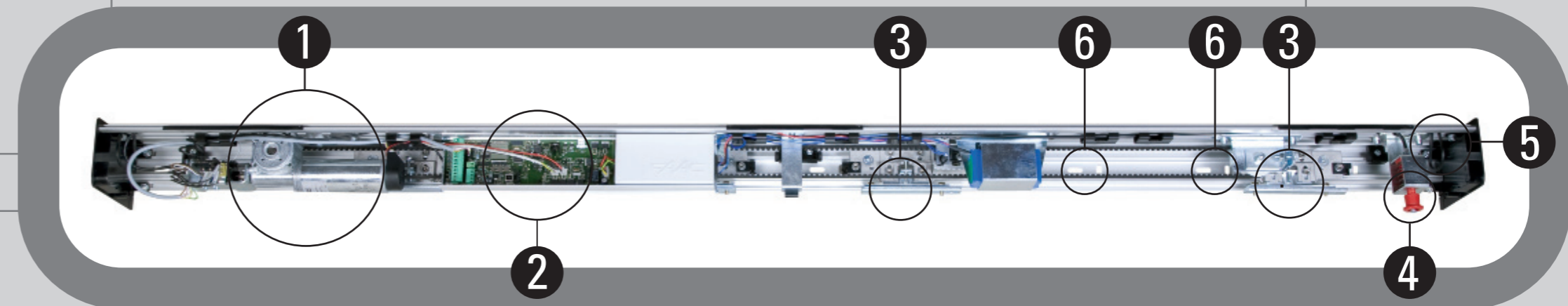
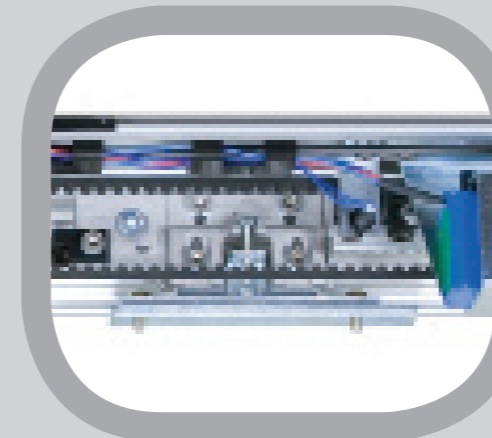


## 1 Motor with electrical lock



- 1 Motor with electrical lock
- 2 Control unit with switching power supply unit
- 3 Drive trolleys
- 4 Knob for manual release
- 5 "Parachute" device of front housing
- 6 Eyelets for a fast mechanical installation

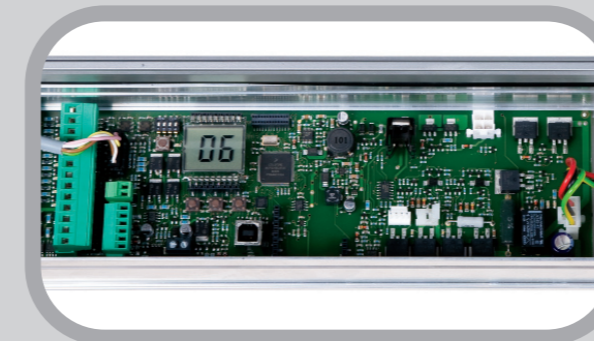
## 3 Drive trolleys



## Accessories

- Round photocell
- Infra-red passive sensor
- Microwave radar
- Keyswitches with emergency release devices
- Profiles for glass leaf fitting
- Electro-mechanical motor lock with manual release
- Motor lock monitoring
- Emergency batteries. They guarantee the automated system to operate for 30 minutes on continuous use**
- Break-out anti-panic kit**
- Compatible with the new series of FAAC TK20 and TK50 profiles**

## 2 Control unit



## Use

Model	Leaf	Free passage width (mm)	Leaf max. weight (kg)
A100 COMPACT 1	single	700÷3000	110
A100 COMPACT 2	double	800÷3000	70+70

## Technical specifications

Technical specifications	A100 Compact
Electric power supply	115/230 V ac - 50 (60) Hz
Power consumption	100 W
Frequency of use	100%
Drive unit	24 V dc motor with encoder
Head profile length	VP x 2 + 100 mm
Load free opening adjustment	5 ÷ 70 cm/s
Load free closing adjustment	5 ÷ 70 cm/s
Partial opening adjustment	10% ÷ 90% of total opening
Pause time adjustment	0 ÷ 30 s
Night pause time adjustment	0 ÷ 240 s
Anti-crushing device	standard
Photocells fail-safe	standard (can be excluded)
Protection class	IP 23 (for indoor use only)
Environmental temperature	-20°C ÷ +55°C

## 4 Knob for manual release

